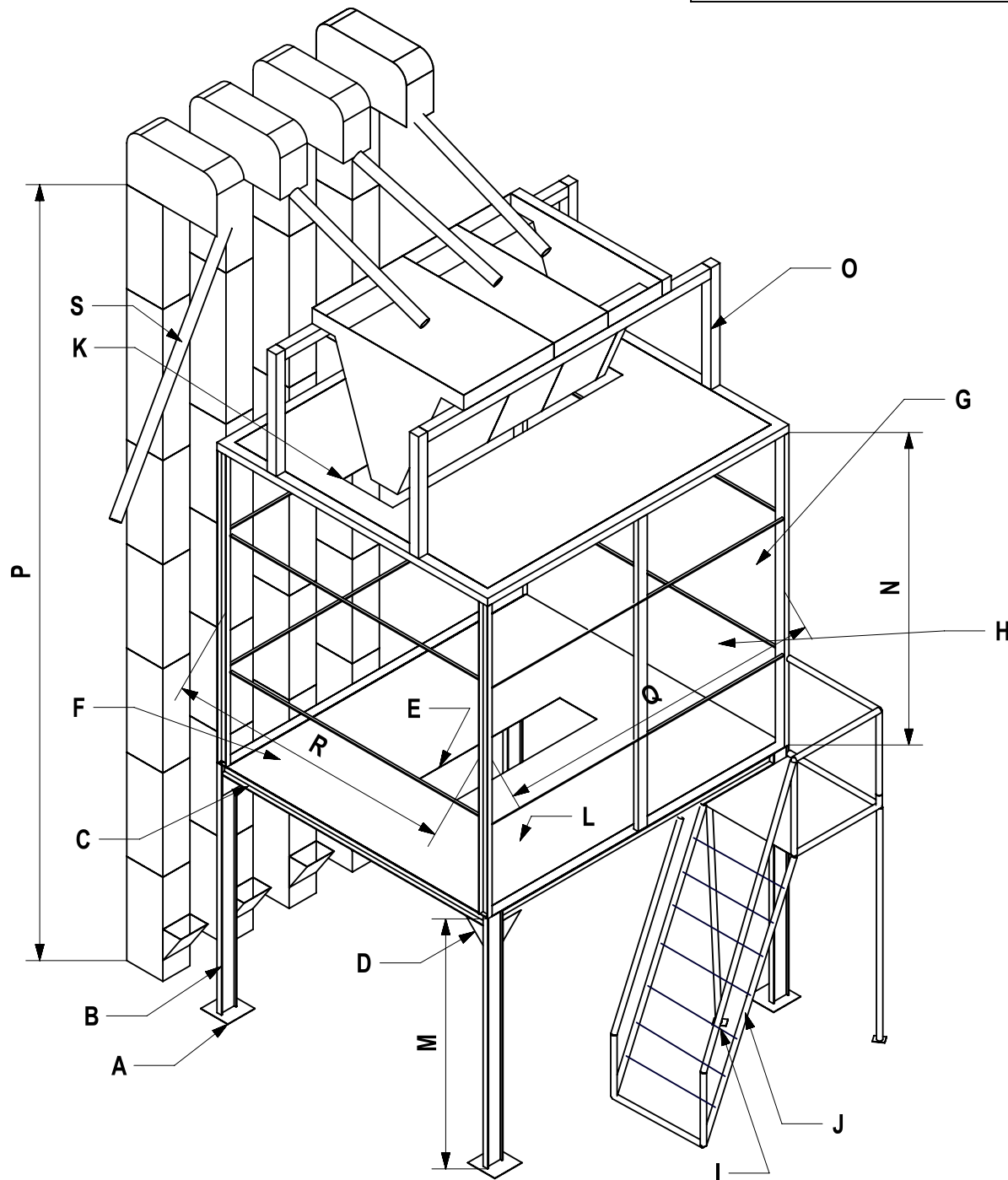


CABIN ARRANGEMENT-6



A-18"x18"x10mm M.S PLATE WITH 5/8"BED BOLT HOLES

B-8"x4" I BEAM

C-5"x2" C CHANNEL

D-SUPPORT PLATE 1/2" THICKNESS

E-BOTTOM CUT OUT

F-PARTITION BOARD

G-CABIN GLASS 6MM THICKNESS

H-SLIDING DOOR

I-STAIR CASE CHECKED SHEET

J-DIA 2" PIPE

K-TOP HOPPER CUT OUT

L-CABIN BOTTOM 1" PLYWOOD

M-MINIMUM 8 1/2 FEET

N-MINIMUM HEIGHT 8 FEET

O-TOP HOPPER SUPPORTING CHANNEL 4"x2"

P-MINIMUM HEIGHT 26 1/2 FEET

Q-MINIMUM LENGTH 10 FEET

R-MINIMUM WIDTH 10 FEET

S-TO PACKING